

PW4C3 - 0.3...5kg

Célula de carga Single Point



Libracom
Inteligência em Processos Industriais

1. 1-PW4C3/xxKG-1 Technical data:

技术参数 (Technical data)	单位 (Unit)	1-PW4C3/xxKG-1			
精确度等级 (OIML R60)		C3			
额定载荷 Emax (Max. capacity)		300g	500g	2kg	3kg
最小检定分度值 (V _{min})	g	0.05	0.1	0.2	0.5
温度对零点影响 (TC Zero)	% of Cn/10K	±0.0233	±0.0280	±0.0140	±0.0233
灵敏度 (Sensitivity)	mV/V	1.0±0.1		2.0±0.2	
温度对灵敏度影响 (TC Span)	% of Cn/10K				
+20℃~+40℃:		±0.0175			
-10℃~+20℃:		±0.0117			
非线性误差 (Non-linearity)	% of Cn	±0.0150			
滞后误差 (Hysteresis error)	% of Cn	±0.0150			
蠕变 (30mins) (Creep)	% of Cn	±0.0245			
蠕变恢复 (30mins) (MDLR)	% of Cn	±0.0166			
秤盘面积 (Max. platform size)	mm	200×200			
四角误差 (Eccentric error)	%	±0.0233			
零点平衡 (Zero balance)	mV/V	0±0.03		0±0.06	
输入电阻 (Input resistance)	Ω	380±38			
输出电阻 (Output resistance)	Ω	380±38			
参考电压 (Uref)	V	5			
工作电压范围 (Bu)	V	1...15			
绝缘电阻 (Insulation resistance)	GΩ/100V	>2			
额定温度范围 Nominal temperature rang	℃	-10~+40			
工作温度范围 Service temperature range	℃	-10~+50			
存储温度范围 Storage temperature range	℃	-25~+70			
安全承载 (Safe load limit)	% of Emax	150			
极限承载 (Breaking load limit)	% of Emax	300			
最大载荷下变形量 (Deflection at Max. capacity), approx.	mm	<0.4			
重量 (Weight approx.)	kg	0.07			
材料 (Material)		Aluminum			
保护等级 (IP)		IP65			
应变片要求 Strain gage requirement		Modco/PEEK			

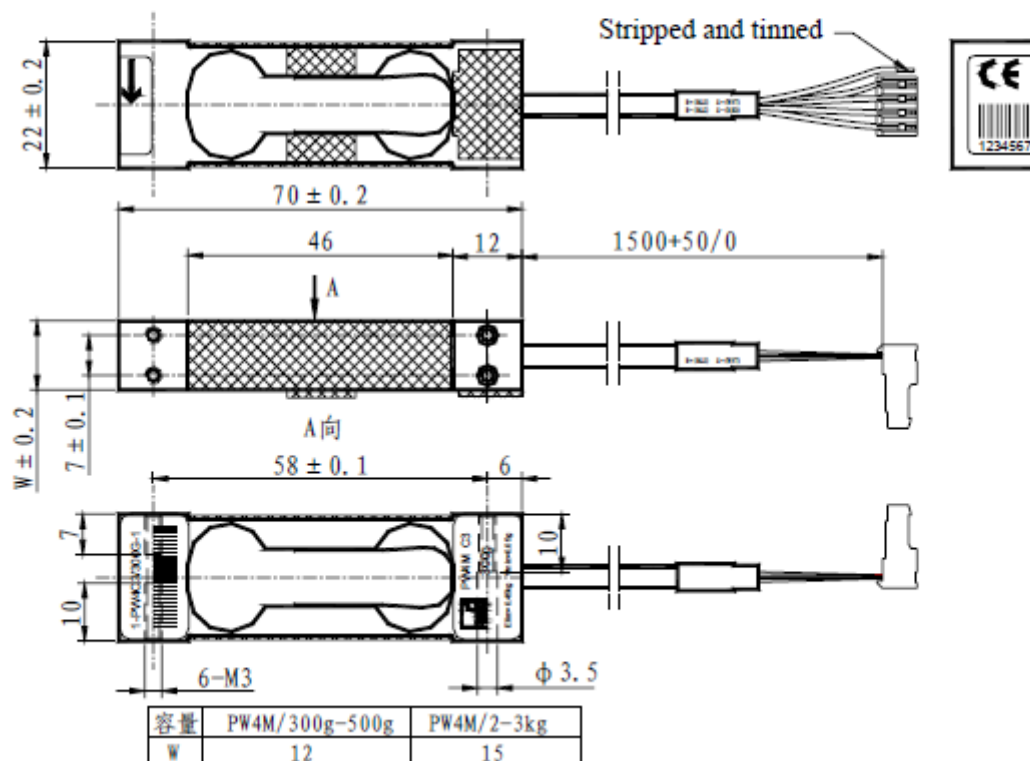
- 1) The sum of data for Non-linearity, Hysteresis error and TC Span meets the requirements of OIML R60
- 2) All relative error specified refer to the rated output signal at max. capacity Loaded with 30% of rated capacity at 71mm (2.8") eccentricity



2. 1-PW4C3/xxKG-1 Part Number Description:

Part Number	Description	Detailed description
1-PW4C3/300G-1	PW4MC3/300g-1500R1GJ	PW4M,C3, Modco, ,1500mm 4W cable, with plug, ground
1-PW4C3/500G-1	PW4MC3/500g-1500R1GJ	PW4M,C3, Modco, ,1500mm 4W cable, with plug, ground
1-PW4C3/2KG-1	PW4MC3/2kg-1500R1GJ	PW4M,C3, Modco, ,1500mm 4W cable, with plug, ground
1-PW4C3/3KG-1	PW4MC3/3kg-1500R1GJ	PW4M,C3, Modco, ,1500mm 4W cable, with plug, ground

3. 1-PW4C3/xxKG-1 Mounting dimension:



Cable:

Shielded 4-core round cable(AWG26) with PVC-jacket

Wiring code:

Pin1 : Excitation voltage + : blue
 Pin2 : Signal+ : white
 Pin3 : Signal - : red
 Pin4 : Excitation voltage - : black
 Shield: Yellow, connected to LC body

Connector: CE 100F26-4(Pancon)

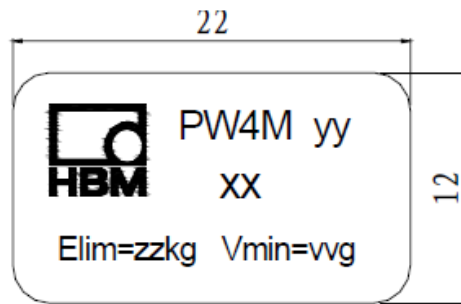
Mounting:

Socket head cap screw M3-8.8

Tightening torque: 1.3N * m

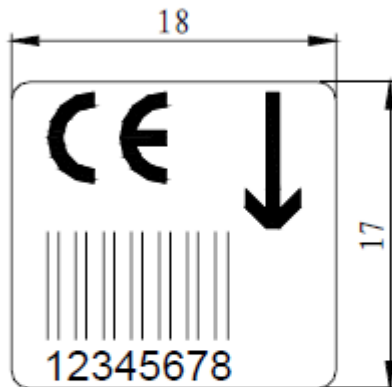
4. Label:

4.1 Type label

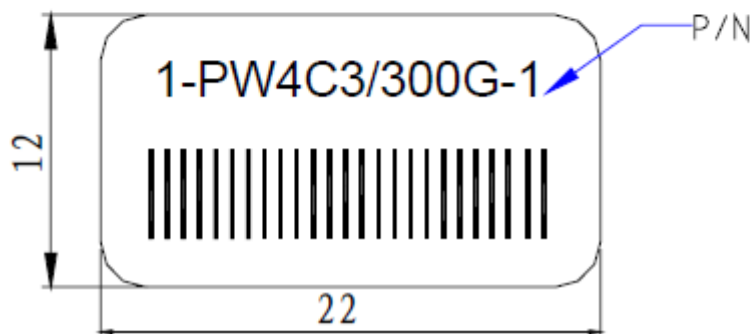


Part Number	yy	XX	ZZ	VV
1-PW4C3/300G-1	C3	300g	0.45	0.05
1-PW4C3/500G-1	C3	500g	0.75	0.1
1-PW4C3/2KG-1	C3	2kg	3	0.2
1-PW4C3/3KG-1	C3	3kg	4.5	0.5

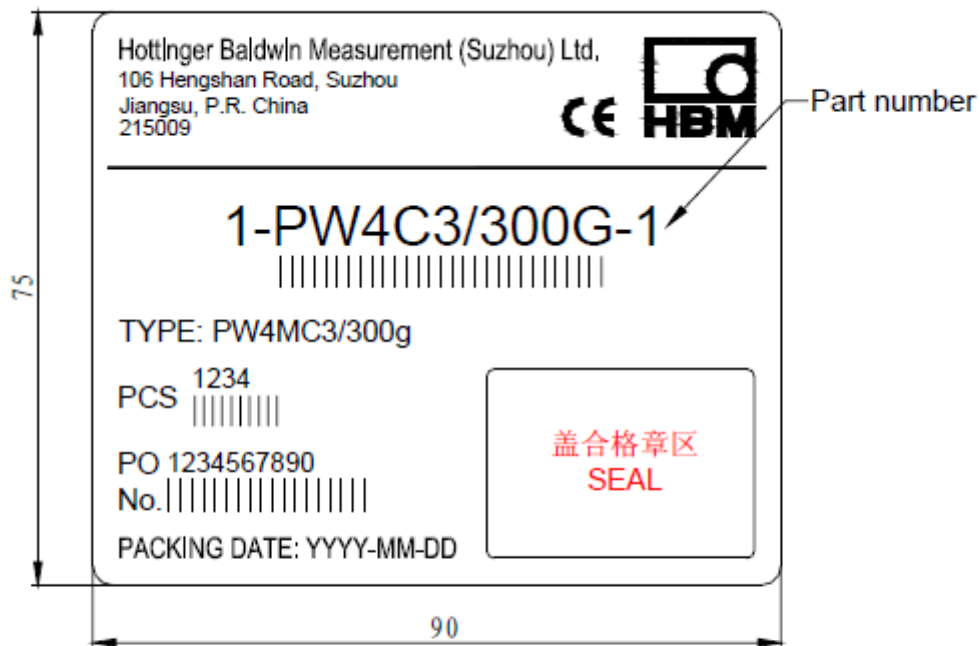
4.2 S/N Label



4.3 P/N Label



4.4 Out package Label



Order P/N	PO NO.	Type	yyyy-mm-dd
1-PW4C3/300G-1	Purchase order number	PW4MC3/300g	Packing date (year-month-day)
1-PW4C3/500G-1	Purchase order number	PW4MC3/500g	
1-PW4C3/2KG-1	Purchase order number	PW4MC3/2kg	
1-PW4C3/3KG-1	Purchase order number	PW4MC3/3kg	