

PW22C3

Single point load cells



Libracom
Inteligência em Processos Industriais

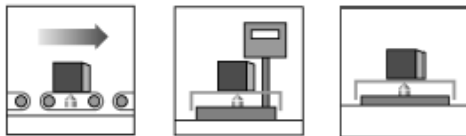


Special features

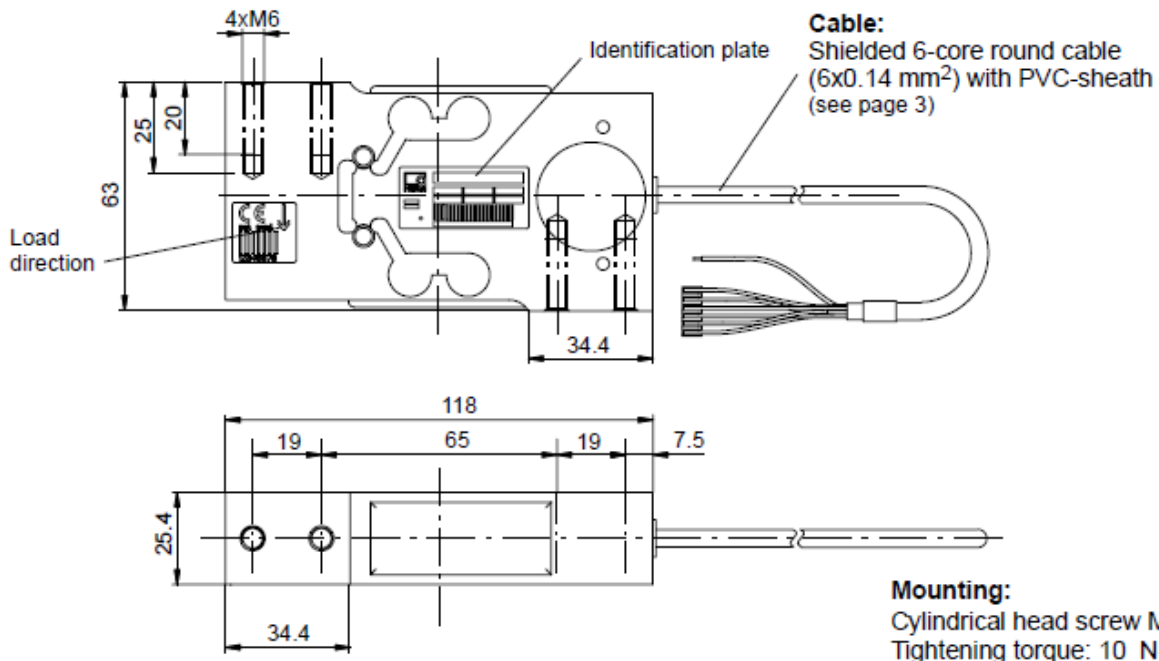
- High overload limits with integrated overload protection (Patent pending)
- High torsional and bending stiffness
- OIML-R60 certificate
- Degree of protection IP 67
- Fast Settling time
- optimized for dynamic weighing applications

Optional:

- Protection housing
- Different cable lengths



Dimensions (in mm; 1 mm= 0.03937 inches)



Libracom
Inteligência em Processos Industriais



www.libracom.com.br



51 3458.1028



Rua Lageado, 144 - Centro - Esteio/RS - CEP 93260-190

Specifications

Type	PW22...				
Accuracy class ¹⁾	C3MR				
Maximum number of load cell intervals (n_{LC})	3000				
Maximum capacity (E_{max})	kg	6	10	20	30
Minimum LC verification interval (v_{min})	g	0.5	1	2	2
Max. platform size	mm	400 x 400			
Sensitivity (C_n)	mV/V	1.9 ± 0.1			
Zero signal (without pre load)	mV/V	0 ± 0.1			
Temperature effect on zero balance (TK_0)	% of C_n / 10 K	± 0.0117	± 0.0140	± 0.0140	± 0.0093
Temperature effect on sensitivity (TK_C) ²⁾ in the temperature range +20 ... +40 °C -10 ... +20 °C	% of C_n / 10 K	± 0.0175 ± 0.0117			
Relative reversibility error (d_{hy}) ²⁾	% of C_n	± 0.0166			
Linearity deviation (d_{lin}) ²⁾		± 0.0166			
Ratio of minimum dead load output return (DR)		± 0.0166			
Off-center load error ³⁾		± 0.0233			
Input resistance (R_{LC})	Ω	300...500			
Output resistance (R_0)		300...500			
Reference excitation voltage (U_{ref})	V	5			
Nominal range of excitation voltage	V	1...12			
Max. excitation voltage (B_U)	V	15			
Isolation resistance (R_{is}) at 100 V _{DC}	GΩ	> 1			
Nominal (rated) range of ambient temperature (B_T)	°C [°F]	-10 ... +40 [14 ... 104]			
Operating temperature range (B_{TU})		-20 ... +50 [-4 ... 122]			
Storage temperature range (B_{TU})		-25 ... +70 [-13 ... 158]			
Limit load (E_L) at 120 mm eccentricity	% of E_{max}	150			
Lateral load limit (E_{lq}), static		> 300			
Permissible dyn. load (F_{srel}); with max. 50 mm eccentricity		70			
Breaking load (E_d) at 20 mm eccentricity		500			
Nominal (rated) displacement at E_{max} (s_{nom}), approx.	mm	< 0.15			
Resonance frequency, without load, approx.	Hz	280	380	540	660
Weight (G), approx.	kg	0.5			
Degree of protection acc. to EN 60 529 (IEC 529)		IP67			
Material: Measuring body Application protection Cable sheath		Aluminum Silicone rubber PVC			

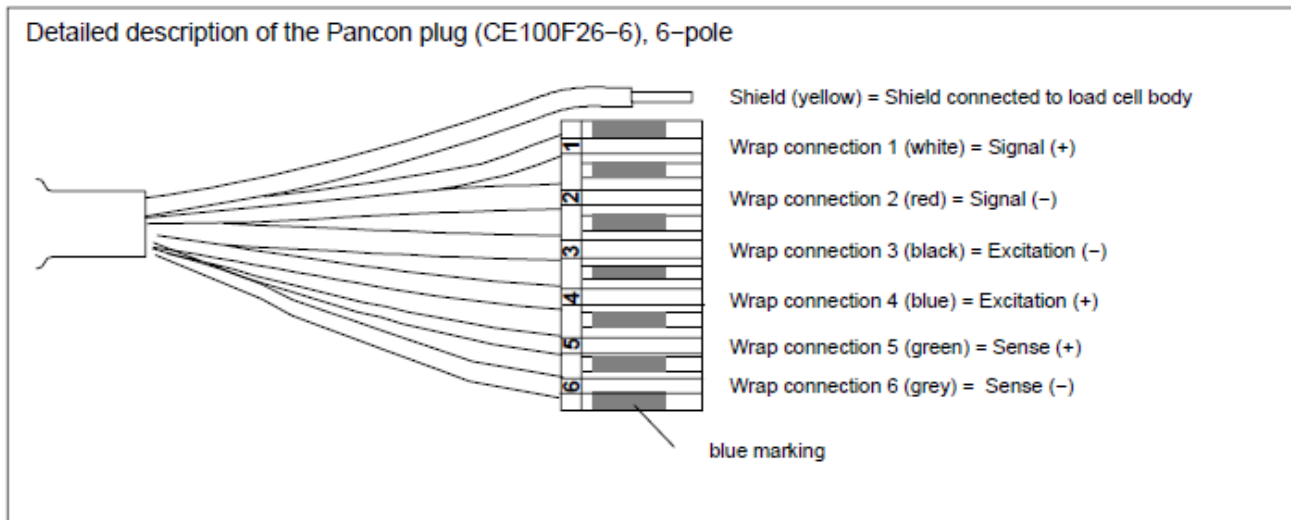
¹⁾ According to OIMLR60 with $P_{LC} = 0.7$

²⁾ The values for linearity deviation (d_{lin}), relative reversibility error (d_{hy}) and temperature effect on sensitivity (TK_C) are recommended values. The sum of these values remain within the cumulated error limit acc. to OIML R60.

³⁾ Loaded with 30 % of the max. capacity at 142 mm eccentricity (acc. to OIML R76).

Wiring code

Connection with 6 wire cable (selectable cable length: 1.5 m; 3 m; 6 m)



Ordering codes

PW22... (Aluminum)

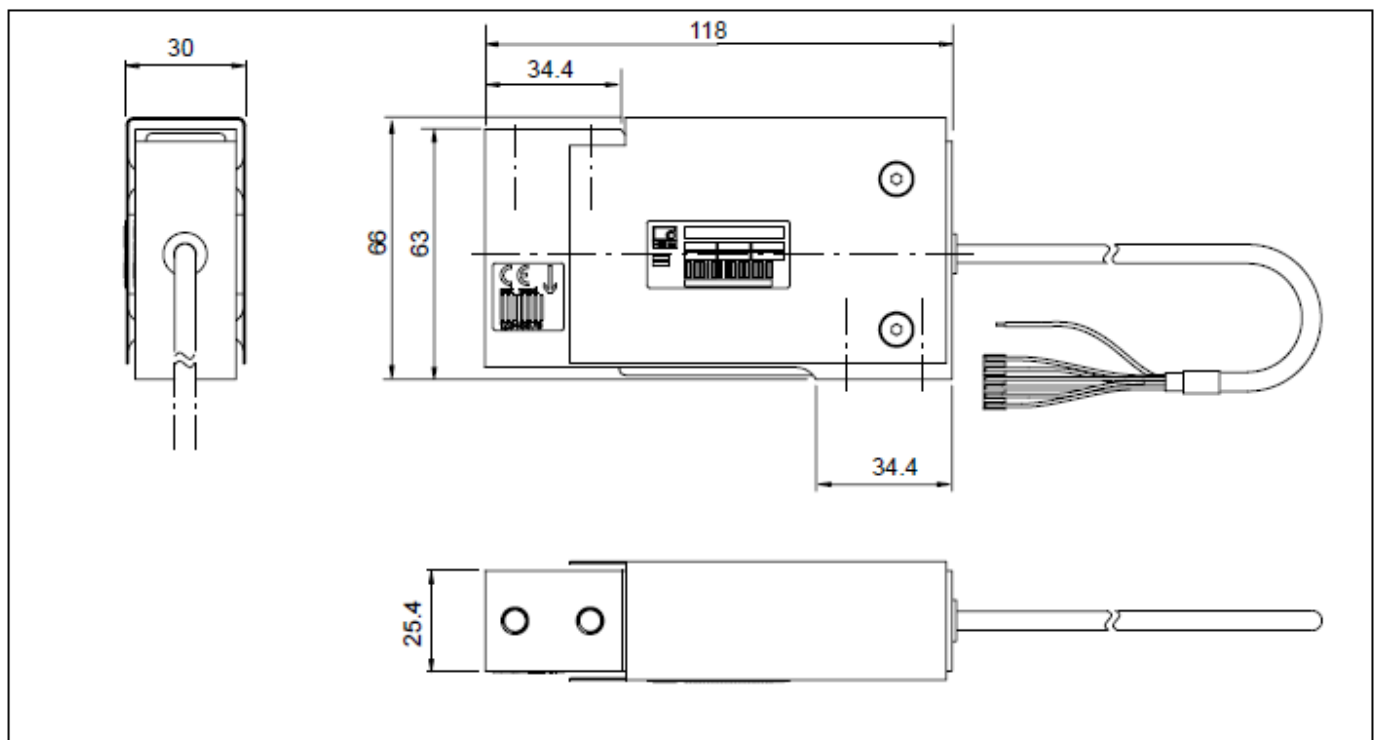
Type	PW22	
Accuracy	C3 (OIML)	
Note	Cable length 3m (6 wire)	
Capacity	Order no.	
6kg	1-PW22C3/6KG-1	
10kg	1-PW22C3/10KG-1	
20kg	1-PW22C3/20KG-1	
30kg	1-PW22C3/30KG-1	

K-PW22-... (Aluminum), optional versions

Order no.		
K-PW22		
Code	Option 1: Mechanical version	
0	without protection housing	
1	with protection housing	
Code	Option 2: Accuracy	
C3	C3 (OIML)	
Code	Option 3: Capacity	
6	6kg	
10	10kg	
20	20kg	
30	30kg	
Code	Option 4: NN	
N	-	
Code	Option 5: Cable length	
1.5	1.5m	
3	3m	
6	6m	
Code	Option 6: Miscellaneous	
N	without	

K-PW22 - - C3 - - N - - - N

Dimensions for version with protection housing



Mounting hints

