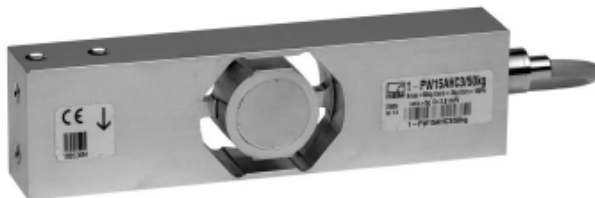


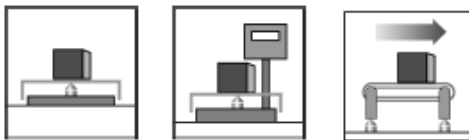
PW15AH/...

Single point load cell



Special features

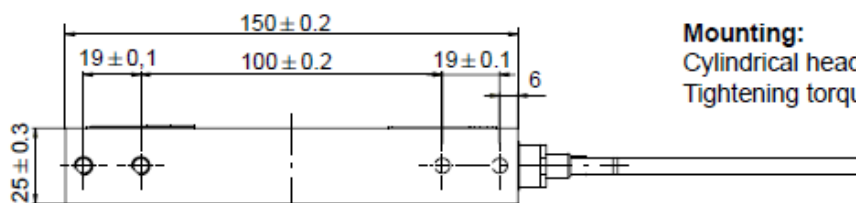
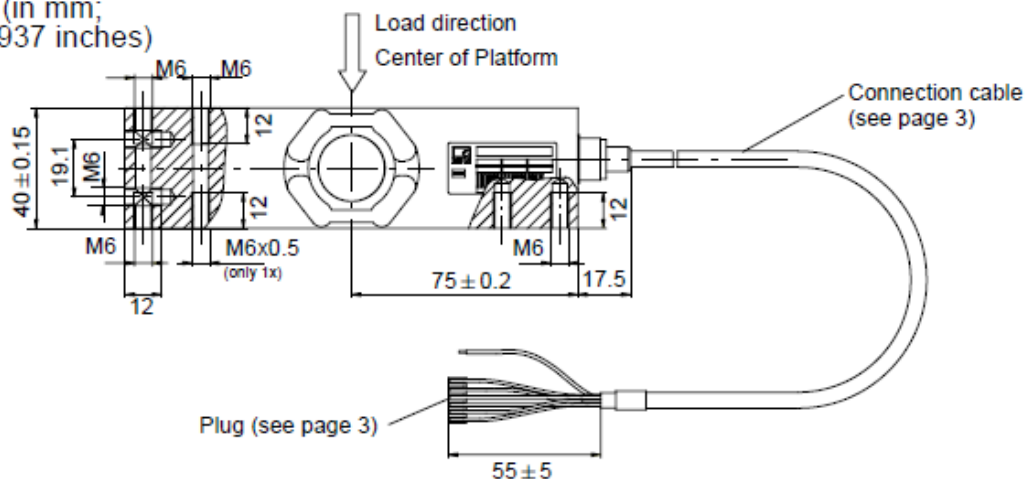
- Hermetically sealed (IP68; IP69K)
- Highest reliability
- Reduced minimum load cell verification interval (V_{min}) for multi range applications
- Interchangeable to products of many manufacturers
- Stainless steel
- 6-wire-technology
- Integrated connection for protective cable conduit systems



Optional:

- different cable lengths

Dimensions (in mm;
1 mm = 0.03937 inches)



Mounting:

Cylindrical head screw M6-10.9
Tightening torque: 14 N·m

Specifications

Type		PW15AH...			
Accuracy class ¹⁾		C3MR			
Max. number of load cell interv. (n _{LC})		3000			
Maximum capacity (E _{max})	kg	10	20	50	100
Min. LC verific. interval (v _{min})	g	1	2	5	10
Temperature effect on zero balance (TK ₀)	% of C _n / 10 K	±0.0140	±0.0140	±0.0140	±0.0140
Maximum platform size	mm	500 x 400			
Sensitivity (C _n)	mV/V	2.0 ± 0.2			
Zero balance		0 ± 0.1			
Temperature effect on sensitivity (TK _C) ²⁾	% of C _n / 10 K	± 0.0175			
Temperature range: +20 ... +40°C [+68 ... +104°F] -10 ... +20°C [+14 ... +68°F]		± 0.0117			
Hysteresis error (d _{hy}) ²⁾	% of C _n	± 0.0166			
Non-linearity (d _{lin}) ²⁾		± 0.0166			
Minimum dead load output return (DR)		± 0.0166			
Off center load error		± 0.0233 ³⁾			
Input resistance (R _{LC})	Ω	380 ± 15			
Output resistance (R _o)		350 ± 10			
Reference excit. voltage (U _{ref})		5			
Nom. range of excit. volt. (B _U)	V	1 ... 12			
Max. excitation voltage		15			
Insulation resist. (R _{ic}) with 100 V _{DC}	GΩ	> 1			
Nominal temp. range (B _T)		-10 ... +40 [+14 ... +104°F]			
Service temp. range (B _{tu})	°C [°F]	-10 ... +50 [+14 ... +122°F]			
Storage temp. range (B _{st})		-25 ... +70 [-13 ... +158°F]			
Safe load limit (E _L) ⁴⁾	% of E _{max}	150			
⁴⁾ at max. eccentricity	mm	160			
Lateral load limit (E _{lq}), static	% of E _{max}	300			
Breaking load (E _d)		300			
Deflect. at E _{max} (s _{nom}), app.	mm	< 0.5			
Weight (G), approx.	kg	1.0			
Protection class acc. to EN60529 (IEC529)		IP 68 (test conditions 100 h at 1 m water column); IP69K (water at high pressure, steam jet cleaning) ⁴⁾			
Material: Measuring element		Stainless steel			
Coating		Silicone rubber			
Cable sheath		PVC			

¹⁾ According to OIML R60 with P_{LC} = 0.7

²⁾ The data for Non-linearity (d_{lin}), Hysteresis error (d_{hy}) and Temperature effect on sensitivity (TK_C) are typical values. The sum of these data meets the requirements according to OIML R60.

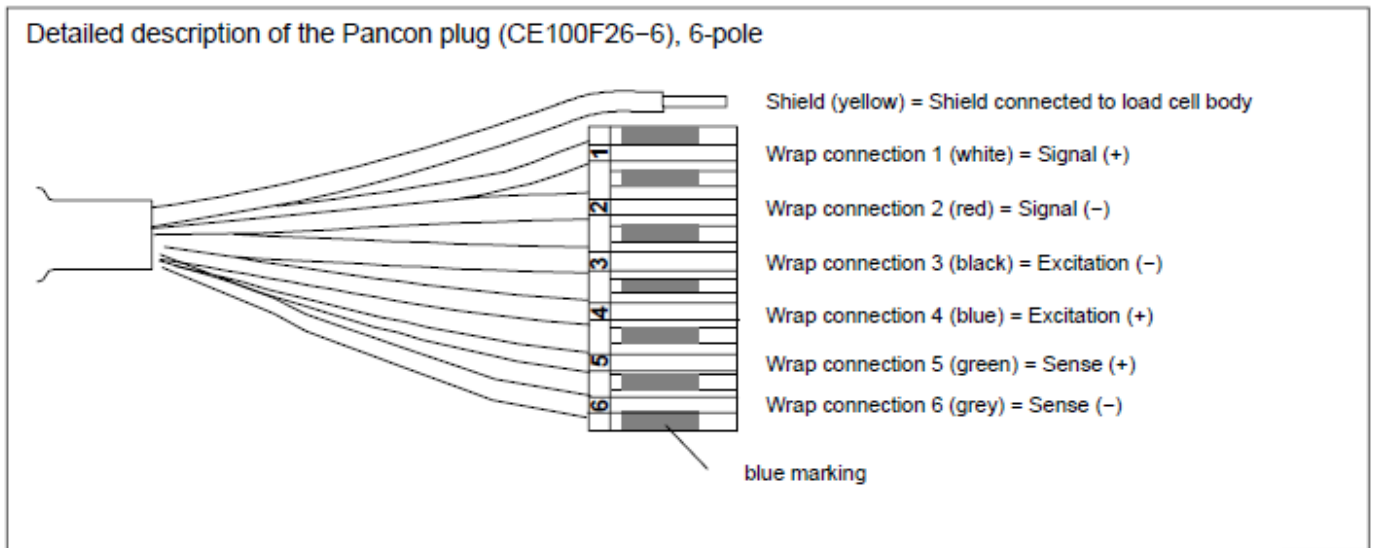
³⁾ According to OIML R76

⁴⁾ Following the definitions of the DIN 40050, part of 9, for road vehicles



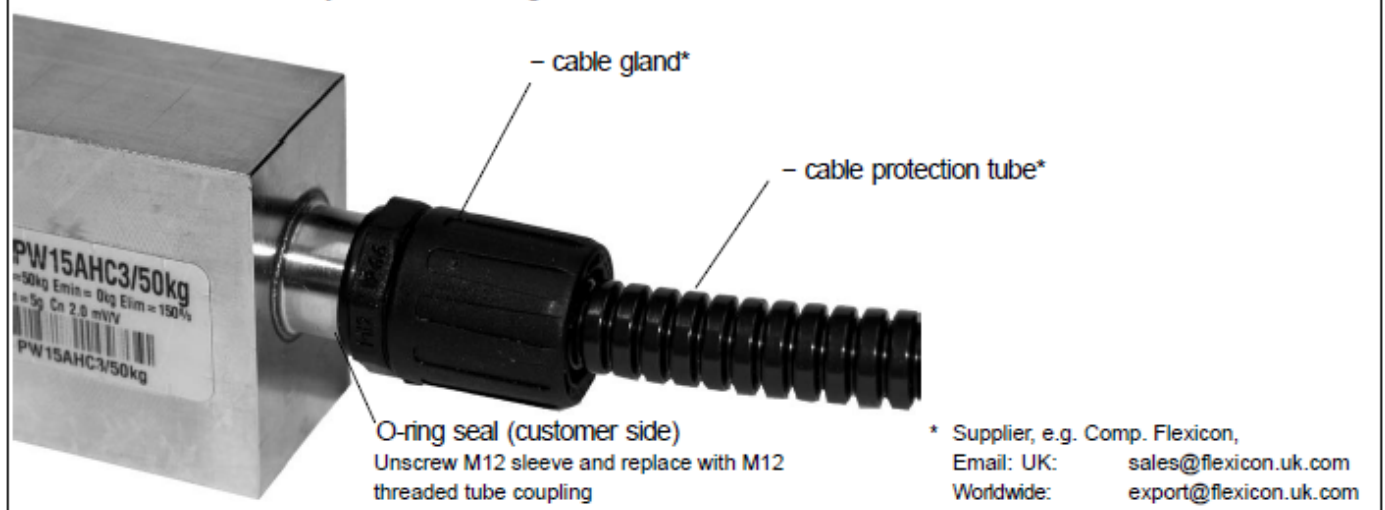
Wiring code

Connection with 6 wire cable (selectable cable length: 3 m; 6 m)



Cable protection (to be implemented by the customer)

Protective cable conduit system*, consisting of:



Ordering codes

PW15AH... (Stainless steel, hermetically sealed)

Type	PW15AH	
Accuracy	C3 (OIML)	
Note	Cable length 3m (6 wire)	
Capacity	Order no.	
10kg	1-PW15AHC3/10KG-1	
20kg	1-PW15AHC3/20KG-1	
50kg	1-PW15AHC3/50KG-1	
100kg	1-PW15AHC3/100KG-1	

K-PW15AH-... (Stainless steel, hermetically sealed), optional versions

Order no.		
K-PW15AH		
Code	Option 1: Mechanical version	
N	Standard	
Code	Option 2: Accuracy	
C3	C3 (OIML)	
MR	C3-MR (OIML)	
Code	Option 3: Capacity	
10	10kg	
20	20kg	
50	50kg	
100	100kg	
Code	Option 4: NN	
N	-	
Code	Option 5: Cable length	
3	3m	
6	6m	
Code	Option 6: Miscellaneous	
N	without	
A	2mV/V $\pm 0.1\%$ / 359 Ohms ± 0.3 Ohms (aligned output, suitable for connection in parallel)	
K-PW15AH - N - - - - N - -		

