

C16AC3/.../EExd



C16AC3/.../EExd

Load cells with
flameproof enclosure "d"

Special features

- Type of protection flameproof enclosure "d", with EC-Type Examination Certificate
DMT 01 ATEX E 041 X
( II 2 G EEx d IIC T6)

Load cells with type of protection **flameproof enclosure "d"** are characterized by the fact that they can be used in the corresponding zones **1 and 2 directly and without any additional devices** (such as required for power limitation in EEx i).

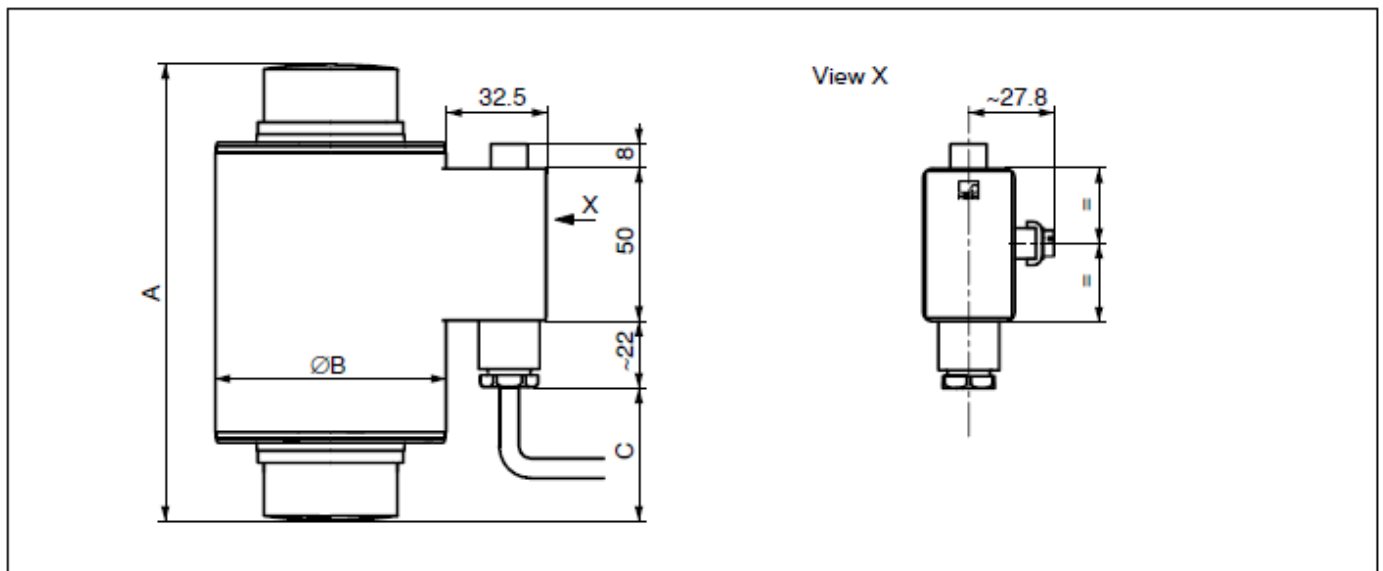
HBM load cells with EC-type examination certificate DMT 01 ATEX E 041 X:

Type series		C16AC3	C16A	Order-No.
Accuracy		C3 (OIML)	0.1	
Max. capacity	20 t	●		1-C16AC3/20T/EEXD [1]
	30 t	●		1-C16AC3/30T/EEXD [1]
	40 t	●		1-C16AC3/40T/EEXD [1]
	60 t	●		1-C16AC3/60T/EEXD [1]
	100 t	●		1-C16AC3/100T/EEXD
	200 t		●	1-C16A/200T/EEXD

¹⁾ Use only in combination with HBM mounting accessories 1-EPO3/50t and 1-C16/EPU44A (included in scope of supply) !

Ordering example: Load cell C16AC3 EEx d, Max. capacity 40 t > Order-No.: 1-C16AC3/40T/EEXD

Dimensions in mm (1 mm = 0.03937 inches)



Max. capacities	A	ØB	C
20 t / 30 t / 40 t	150	76.1	66
60 t	210	76.1	96
100 t / 200 t	260	95	132

The dimensions of the load cells with type of protection **flameproof enclosure "d"** differ from those of the standard load cells only in the area of the cable connection box. For all other dimensions, please refer to the data sheets of the standard load cells.

Additional instructions for mounting

When mounting the load cell, take care that the fixed connection cable is run in a stationary way and protected from mechanical influences.

Specifications

For intended use in potentially explosive atmospheres, it is essential to maintain the **ambient temperature range of $-30\text{ °C} \leq T_a \leq +65\text{ °C}$** specified on the load cell. Otherwise, all further specifications for standard load cells provided in the data sheet apply.